

# Steel support structure for filling station installations

## SSW series

For filling station easy and quick installation



Complete installation for CO<sub>2</sub> cylinders filling with one filling outlet

### Description

Vanzetti Equipment designs specific supporting structures to allow the easy and fast installation of cylinders/reservoirs filling stations, minimizing in this way any civil work.

The height of the structure from ground is equivalent to the standard steel pallet carrying the cylinder. In this way the operator can easily load/unload the cylinder from the pallet to the platform and then on the weighing scale.

The frame is internally equipped of pass-through holes to let the cabling/piping under the grid walkways.

Due to the modular design of the frame, the supporting structure can be adapted to the quantity of filling outlets available in the filling station and their relevant weighing scale.

### Technical features

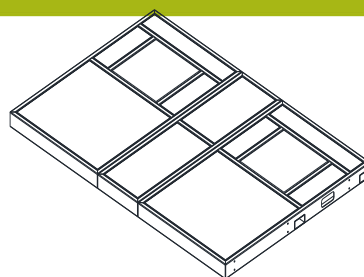
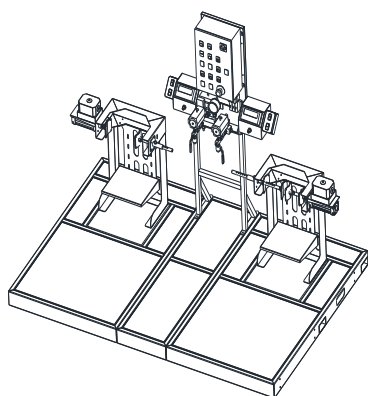
- > Painted steel structure
- > Galvanised grid walkways
- > Modular design
- > Internal pass-through holes for piping and cabling
- > Suitable for skid mounting and cabling/piping already before the delivery

# Steel support structure for filling station installation



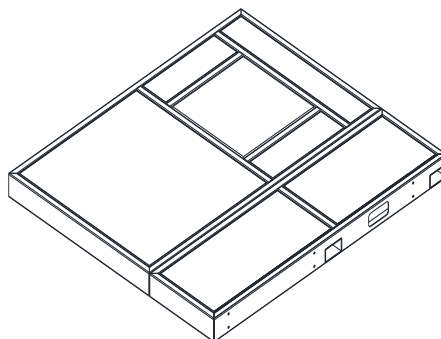
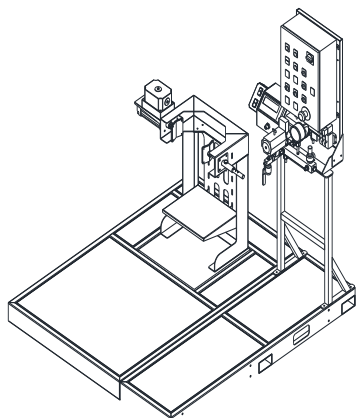
## Model SSW2

Galvanized grid and painted steel structure to be installed on the floor for CO2 filling station with two filling outlets and relevant weighing scales  
L 2950 x W 1980 x H 140 mm



## Model SSW1

Galvanized grid and painted steel structure to be installed on the floor for CO2 filling station with one filling outlet and relevant weighing scale  
L 1750 x W 1980 x H 140 mm



> PER MAGGIORI INFORMAZIONI:  
FOR FURTHER INFORMATION CONTACT:  
POUR INFORMATIONS CONTACTER:

VANZETTI EQUIPMENT S.r.l.  
Via Avv. Giovanni Agnelli, 10 12033 MORETTA (CN) ITALY  
Tel. +39 0172 915806  
Fax +39 0172 915822

info@vanzettiequipment.com  
www.vanzettiequipment.com



BULLETIN N° VE/SSW-R1.12-E